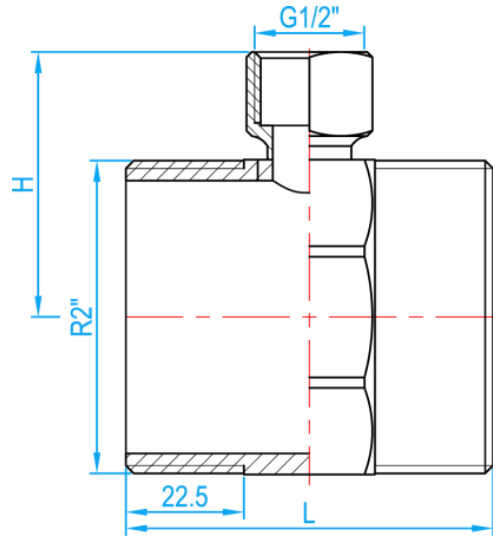


STAINLESS STEEL 304 THREADED FITTINGS

REDUCING TEE MXF

COMPLY WITH BSEN1254-2:1998
AS/NZS 4020:2018



CROSS SECTIONAL VIEW

DIMENSIONS

STOCK CODE	SIZE (inch)	L (mm)	H (mm)	WEIGHT (kg)	PCS/CTN
SS304ENFIT0505015	2"BSPTX2"BSPTX1/2"BSP	70	51	0.404	30